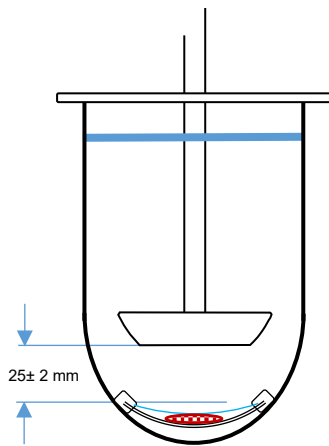


USP apparatus 5 paddle over disk.

Rev date: 04-2020

There are several ways of testing transdermal samples. One of these methods is the USP5 method paddle over disk. It uses the same set up as USP apparatus 2, with the addition of a disk assembly designed to hold the transdermal specimen at the bottom of the vessel. A watch glass-patch-polytef sandwich is commonly used to hold the specimen.



A problem can occur, how to close the sandwich with as little damage to the polytef screen. It turns out this can be very tricky doing this the wrong way and the structure of the screen can be damaged. After some testing the best way is to put the clamps on in an angle.

